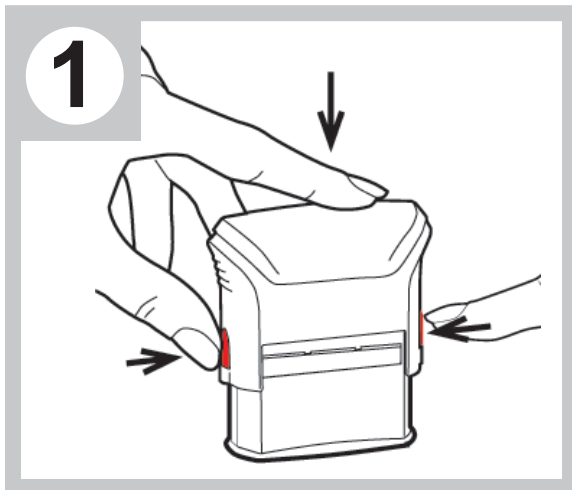
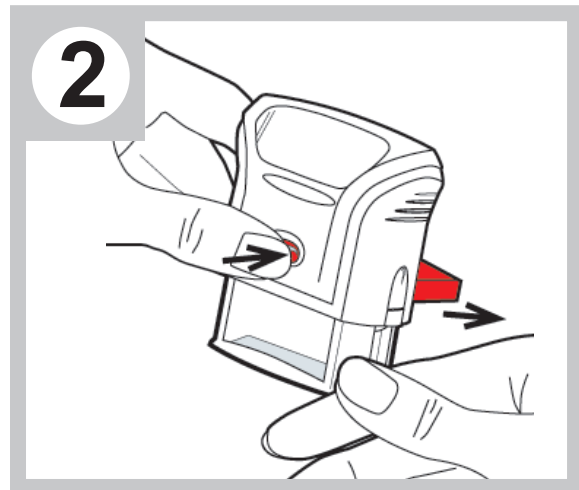


Installation of new replacement ink cartridges

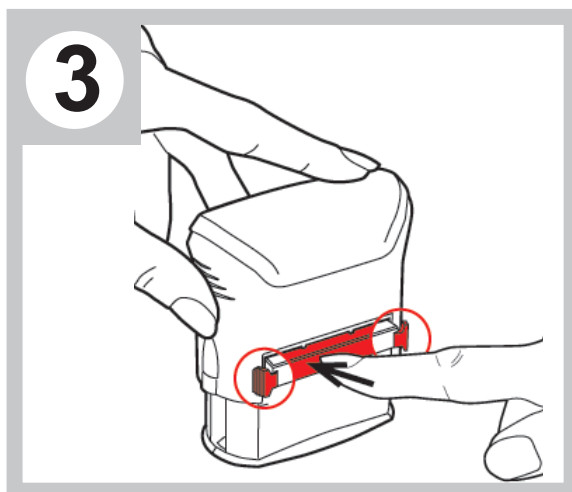
New replacement ink cartridges
for 4911, 4912, 4913



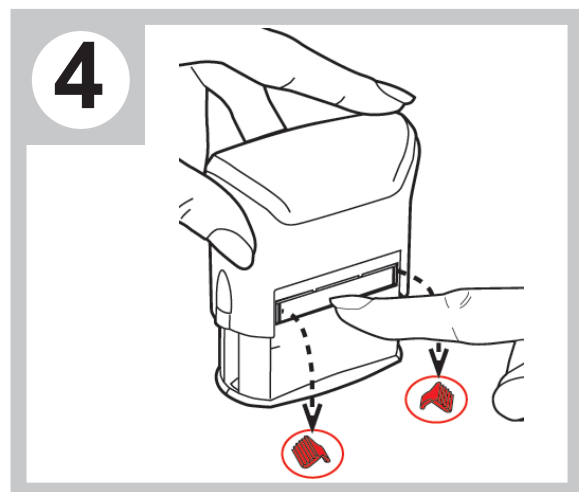
1
Hold side buttons while pushing down to lock in position. (as shown)



2
Push front button to push out old pad. (as shown)



3
Insert pad into slot with inked side facing down. Tabs will snap off when the pad is fully inserted.



4
Collect and discard tabs.